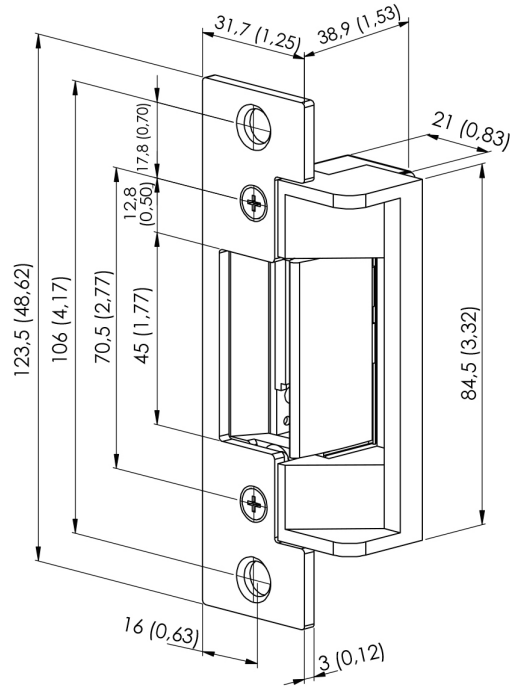




2. Installation Dimensions

mm (in.)

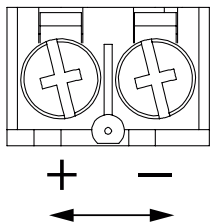


Features

- Lock Size: 124Lx46W39H (mm) - 4.88Lx1.81Wx1.53H (in.)
- Holding Strength: 350kg (770 pounds)
- Voltage: 12VDC
- Current: 200 - 230 mA
- Feature: Fail Safe. N/C. with power it's lock.
- Connections:
 - Power supply: No polarity (Polarity if a diode is installed).
 - Microswitch: COM contact, NC contact, NO contact.

Wiring Instructions

1. Voltage



The standard function works without polarity.
A diode can be installed to use with polarity.

