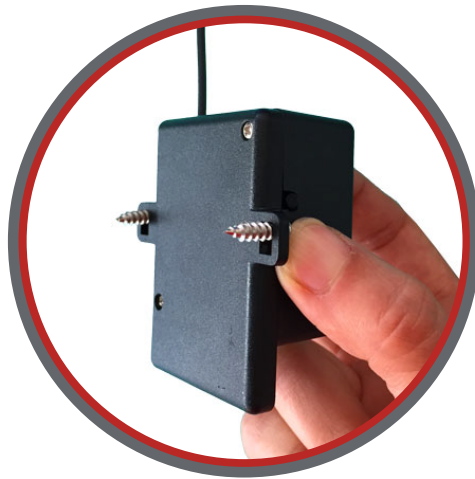


One Channel Receiver 315MHz VIS-8004 USER MANUAL



For support: sales@visionistech.com



SPECIFICATIONS

Operating Frequency

315MHz

Number of Codes

1,048,576

Data Format

PWM

Operating Voltage

DC12V

Operating Distance

Up to 160ft (50m)

The maximum range needs to be used in an open area. The distance will start to diminish based on some type of interference such as metal, concrete and others.

Operating Temperature

0°C-70°C or 32°F - 158°F

Current Draw

19mA

RF channels

One

No. of Remotes that are able to connect to one Receiver

up to 50

Receiver Output

C dry contact (NO/NC/COM)

Receiver Output Functions

4 (Default) 4 second momentary, latch, toggle (On/Off), press on function

Connectors

5 screw Terminal (NO, COM, NC + -) (short wire included for each terminal used to facilitate install.)

Case Construction

ABS Plastic

Dimensions

62*43.5*30mm (2.44* 1.71*1.18 Inches)

Weight

43g or 1.52 Ounces

Certifications

FCC

Antenna

Wire lead

Mounting Screws

Comes with two mounting screws

Warranty

3 Year

Wire Harness

Included

Power supply

Not included

(only included in the form of kits.)



DESCRIPTION

The model **VIS-8004 is a 1-Channel 315MHz RF receiver** supplied with antenna. This receiver is designed for use with the VISIONIS VIS-8005 1 channel remote. The 1 channel RF receiver operates for opening doors, garage doors, and gates. Very easy and convenient as well for home/store anti-theft security systems. The receiver programs each specific code; no unauthorized person can gain access to the system by reprogramming or duplicating the Transmitter (remote). This transmitter (remote) can be programmed locally into the memory of the receiver.



NOTES FOR INSTALLATION

- Do not install the receiver where it is exposed to weather or moisture conditions.
- Do not install the receiver near metal which will reduce the range of the receiver
- In order to receive the proper range, you must pull the Antenna as straight as you can.
- Do not cut or take off the antenna.



INSTRUCTIONS TO PROGRAM A NEW TRANSMITTER (REMOTE CONTROL)

Each VIS-8004 Visionis receiver can program up to 50 transmitters (remotes) (VIS-8005).

- Before you program this function make sure you have one of your remotes on hand.
- Now press the “Learning Button” once and release it right away. Then immediately press the button on the remote one time and release it.
- After that has been done, you will see the LED light on the receiver quickly flash and this means that the remote has been programmed.
- The receiver can hold as many as 50 remotes at the same time simultaneously.

Deleting Remotes

If your remote has been lost or misplaced or you need to delete it from the receiver for any Reason, go ahead and press the “Learning Button” for about 8 seconds until you see that the red solid light goes away.

Warning: *This feature will delete all the remotes that you have programmed. If you have other remotes, they must be reprogrammed.*



IMPORTANT NOTES

- On the following page you will find a diagram on where you can identify the programming button on the receiver.
- If the button on the transmitter (remote) is not pressed within 15 seconds of the LED light flashing, the receiver will exit programming and the LED light will turn off.
- If the transmitter (remote) has been programmed already, you will see the receivers channel light turn on steadily and then start flashing again. The transmitter (remote) will not be able to be programmed a second time.
- One receiver can program up to 50 transmitters (remotes).



PROGRAMMING DIFFERENT FUNCTIONS ON THE RECEIVER

The receiver can be programmed to five different functions. To locate the function mode button on the receiver look at the diagram on the following page.

- **4-Second Delay Function (this is the Default Function):** When the transmitter (remote) button is pressed, the receiver will turn on for 4 seconds and automatically turn off after the 4 seconds.
- **Press on Function:** As long as the Transmitter (remote) Button is pressed, the receiver will stay on.

- **ON/ Off Toggle Function (L):** This function works exactly like an on/off switch. When the Transmitter (remote) button is pressed once, the receiver turns on. When the transmitter (remote) is pressed again the relay turns off.
- **Latched:** Press transmitter button A, the receiver relay A is on, Press transmitter button B, the receiver relay A will stop work.

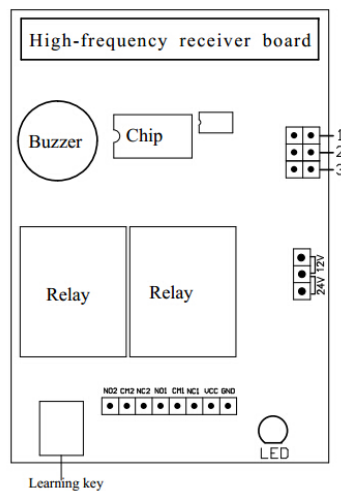
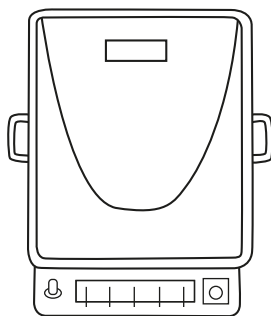
SELECTING THE DIFFERENT BLACK JUMPER FUNCTION ON THE RECEIVER

To program the correct function on your receiver you must take off the main black cap of the receiver. On the right-hand side, you will find three little Jumper terminals. The terminals are defined below. To implement the function needed simply remove the black jumper and put it on the terminal function of your choosing.

Jumper Definitions

- A. Signal 3s = Jumper in 1, disconnect 2,3
- B. Signal Latch = Jumper in 2, disconnect 1,3
- C. Signal Momentary = Jumper in 3, disconnect 1,2
- D. Signal Toggle = 1.2.3 unconnected

WIRING DIAGRAM

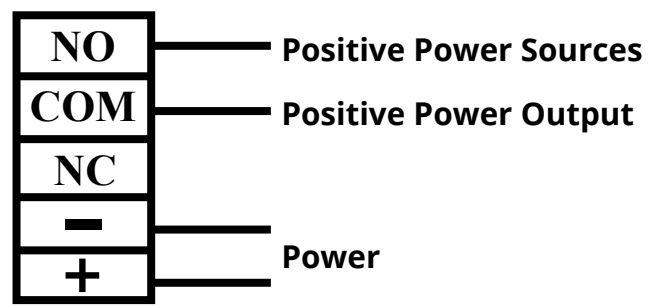


Wire Definition:
C = Blue: NO
B = Yellow: Com
A = White: NC
Red: +
Black: -

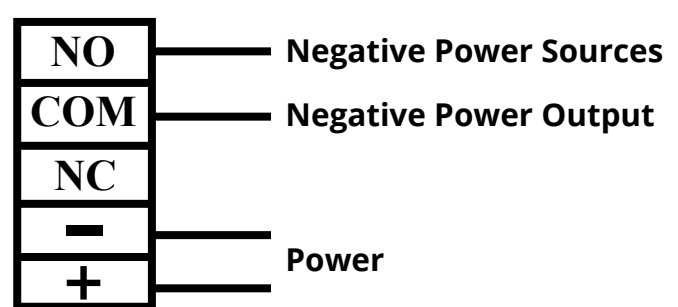


DIFFERENT TYPE OF APPLICATION

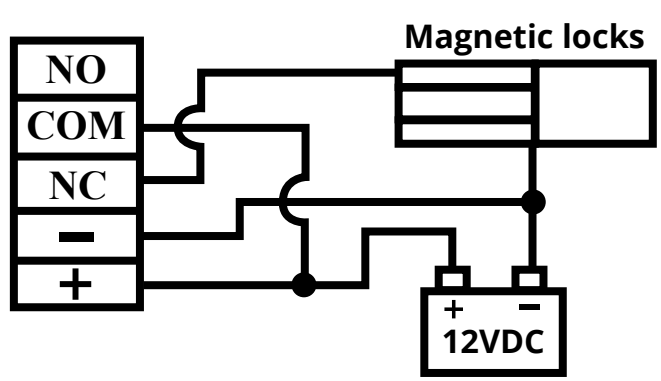
Positive Output



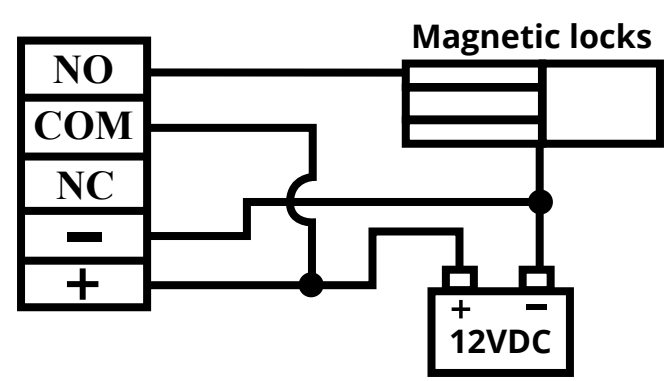
Negative Output



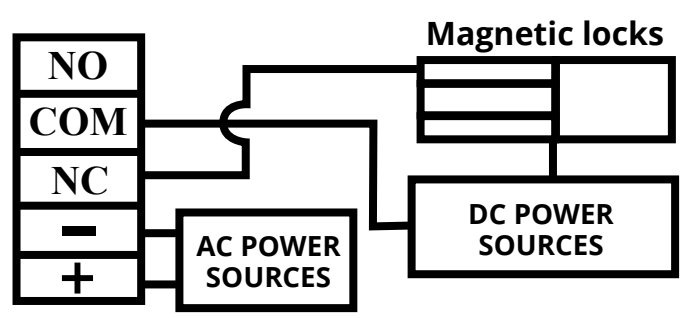
Typical N.C. Application



Typical N.O. Application



N.C. Application with independent Power Sources



N.O. Application with independent Power Sources

