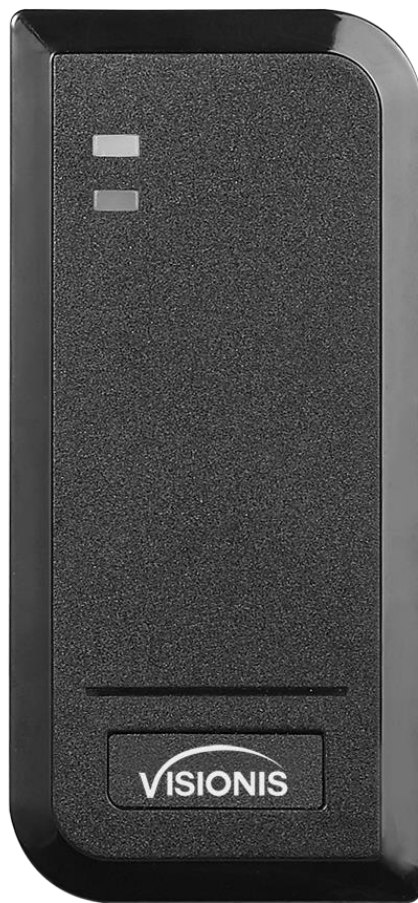




**Access Control Outdoor IP66 Card Reader  
Only Compatible with Wiegand 26 Bit**



**VIS-3100 / VIS-3101  
User Manual**

### 1. Introduction

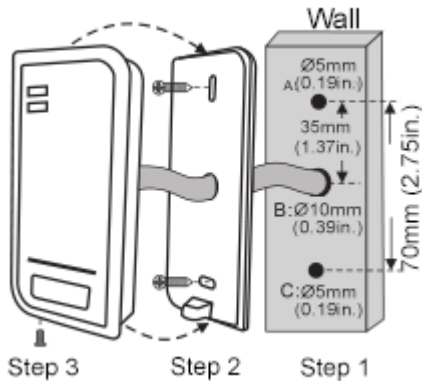
The VIS-3100 / VIS-3101 is a slim Wiegand Output Proximity Reader, compatible with 125KHz EM format card. The reader is fully potted, and can function at extreme temperatures (-40°~60°C), which allows it is capable to be mounted either indoor or outdoor.

### 2. Specifications

Model	VIS-3100 / VIS-3101
Operation Voltage	9~24V DC
Standby Current	≤25mA
Frequency	125KHz
Card Type	EM card
Read Range	Up to 2.75 inches (7cm)
Output Format	26bits Wiegand (default) (26~37bits available upon request)
Operating Temperature	-40°C~60°C(-40°F~140°F)
Operating Humidity	10% to 95% RH
Color	VIS-3100 (Black) / VIS-3101 (White)
Index of Protection	IP66
Dimension (H x W x T)	102L x 48An x 20Al (mm) 4.01L x 1.88An x 0.78Al (in.)
Net Weight	100g
Shipment Weight	150g

### 3. Installation

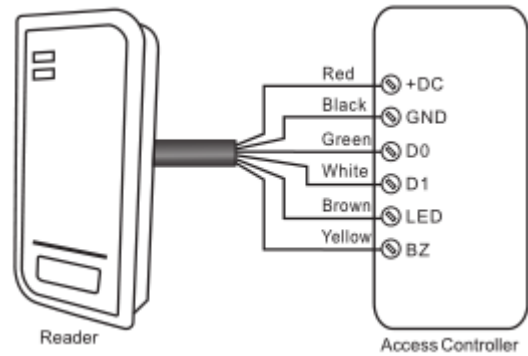
- Drill 2 holes (A, C) on the wall for the screws and one hole for the cable
- Knock the rubber bungs to the holes (A, C)
- Fix the back cover on the wall with 2 screws
- Thread the cable through the cable hole (B)
- Attach the unit to the back cover



## Wiring

Color	Function	Notes
Red	Power	+DC (9-24V DC)
Black	GND	Ground
Green	D0	Data 0
White	D1	Data 1
Brown	LED	Green LED Light Control
Yellow	Buzzer	Buzzer Control

## Connection Diagram



(Remarks: Brown and Yellow wires are optional connections)

## 4. Function Table sheet

Read Card	The LED light will be turn into Green, and the buzzer sounds a beep, at the meantime, the reader outputs the Wiegand signal
External LED Control	When the input voltage for LED is low, the LED will turn into Green
External Buzzer Control	When the input voltage for Buzzer is low, the Buzzer will sound
Wiegand Data Output	Wiegand 26~37 bits range available for VIS-3100 / VIS-3101, factory default setting is Wiegand 26 bits.

## Packing List

Name	Quantity
Reader	1
Manual	1
Screw Driver	1
Wall Fixing Plugs	2
Self Tapping Screws	2